

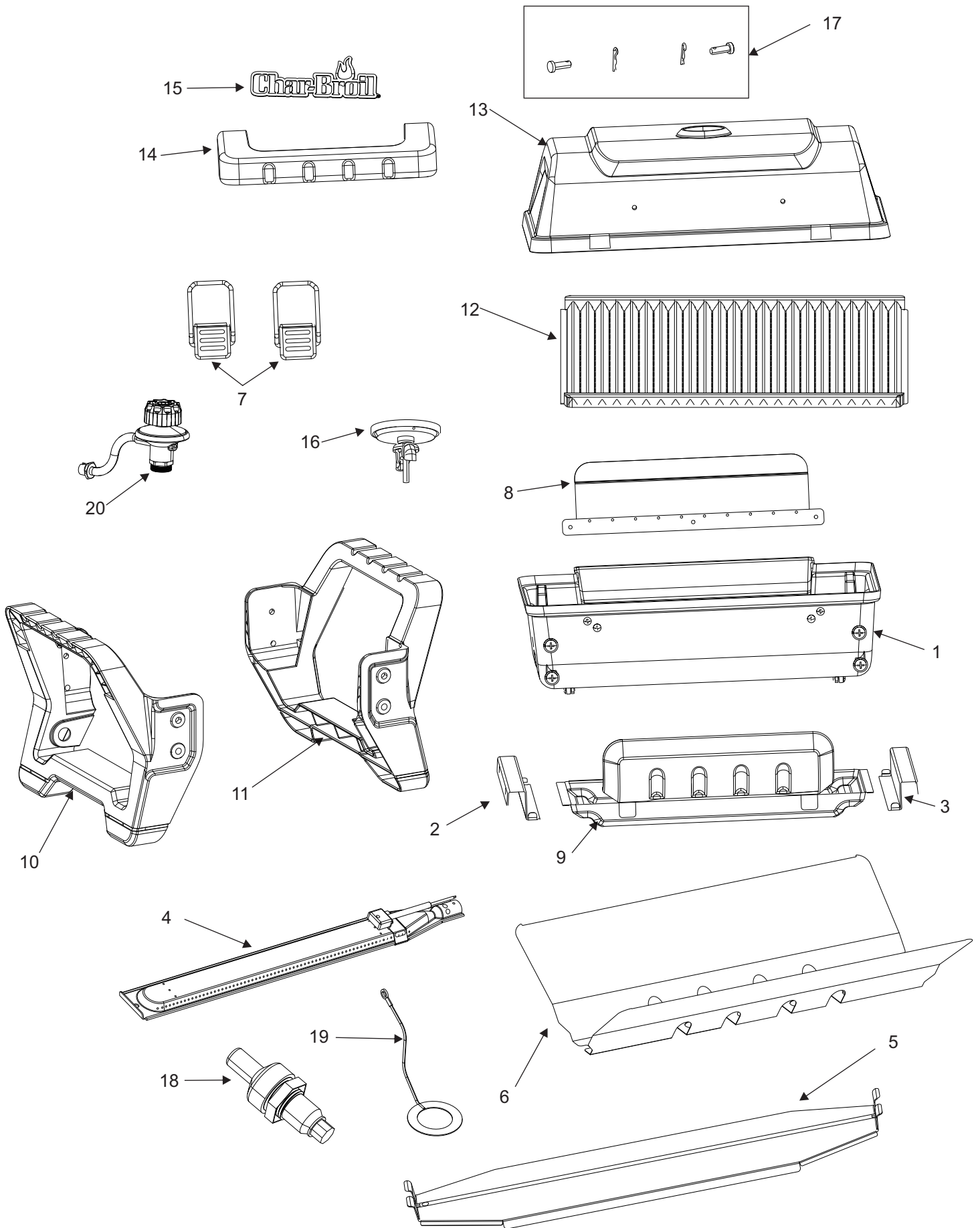
PARTS LIST

Key	Qty	Description
1	1	FIREBOX
2	1	LEFT, GREASE TRAY RAIL
3	1	RIGHT, GREASE TRAY RAIL
4	1	BURNER, W/ ELECTRODE
5	1	HEAT TENT
6	1	HEAT SHIELD
7	2	LATCH ASSEMBLY
8	1	WIND BARRIER
9	1	GREASE TRAY
10	1	LEG, LEFT
11	1	LEG, RIGHT
12	1	COOKING GRATE
13	1	LID
14	1	HANDLE
15	1	LOGO PLATE
16	1	TEMPERATURE GAUGE
17	1	LID HINGE HARDWARE
18	1	IGNITOR
19	1	GROUND CONNECTOR
20	1	REGULATOR

NOT Pictured

...	1	GRATE CLEANING TOOL
...	1	PRODUCT GUIDE, EURO
...	1	WARNING TAG EURO

PARTS DIAGRAM



PARTS ASSEMBLY

