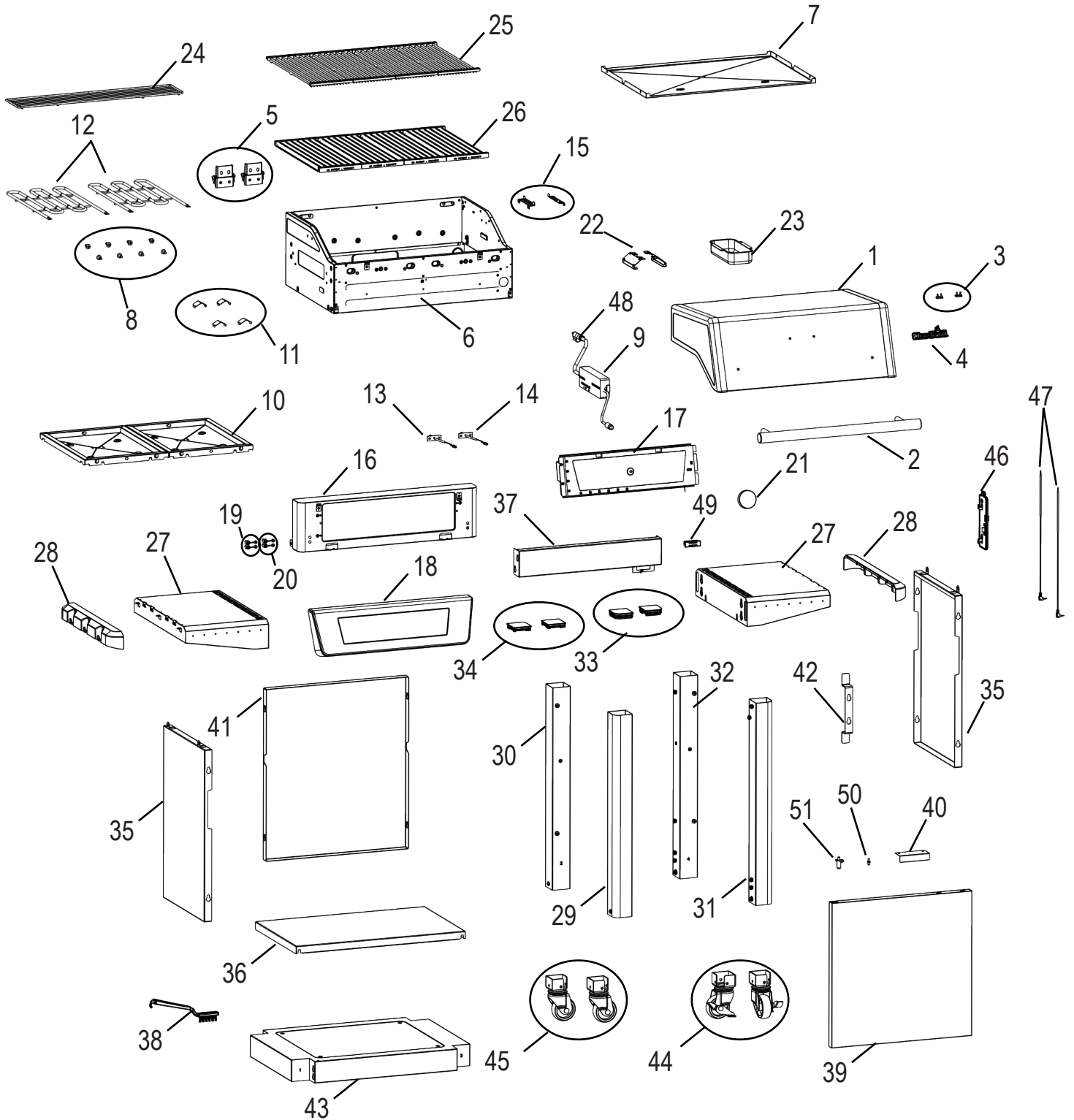


# REPLACEMENT PARTS DIAGRAM

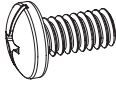


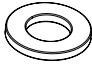
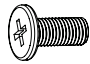
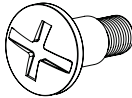


# REPLACEMENT PARTS LIST

Key	Qty.	Description
1	1	TOP LID
2	1	HANDLE F/ LID
3	2	TOP LID RUBBER BUMPER
4	1	LOGO PLATE F/ LID
5	2	TOP LID HINGE
6	1	FIREBOX FRAME
7	1	ELEMENT TRAY BOTTOM
8	8	ELEMENT TRAY SUPPORT PIN
9	1	POWER BOX MODULE
10	2	ELEMENT TRAY
11	4	GREASE TENT
12	2	HEATING ELEMENT
13	1	TEMPERATURE SENSOR (WHITE)
14	1	TEMPERATURE SENSOR (RED)
15	2	BRACKET, F/ WARMING RACK
16	1	CONTROL PANEL HOUSING
17	1	CONTROL MODULE
18	1	CONTROL MODULE PANEL
19	1	PROBE JACK, SET OF 2 (WHITE)
20	1	PROBE JACK, SET OF 2 (RED)
21	1	CONTROL KNOB
22	2	GREASE TRAY BRACKET
23	1	GREASE PAN
24	1	WARMING RACK
25	4	COOKING GRATE
26	4	EMITTER, F/ COOKING GRATE
27	2	SIDE SHELF
28	2	END CAP, F/ SIDE SHELF
29	1	LEFT FRONT LEG (#1)
30	1	LEFT REAR LEG (#2)
31	1	RIGHT FRONT LEG (#3)
32	1	RIGHT REAR LEG (#4)
33	2	LEG CAP, FRONT
34	2	LEG CAP, REAR

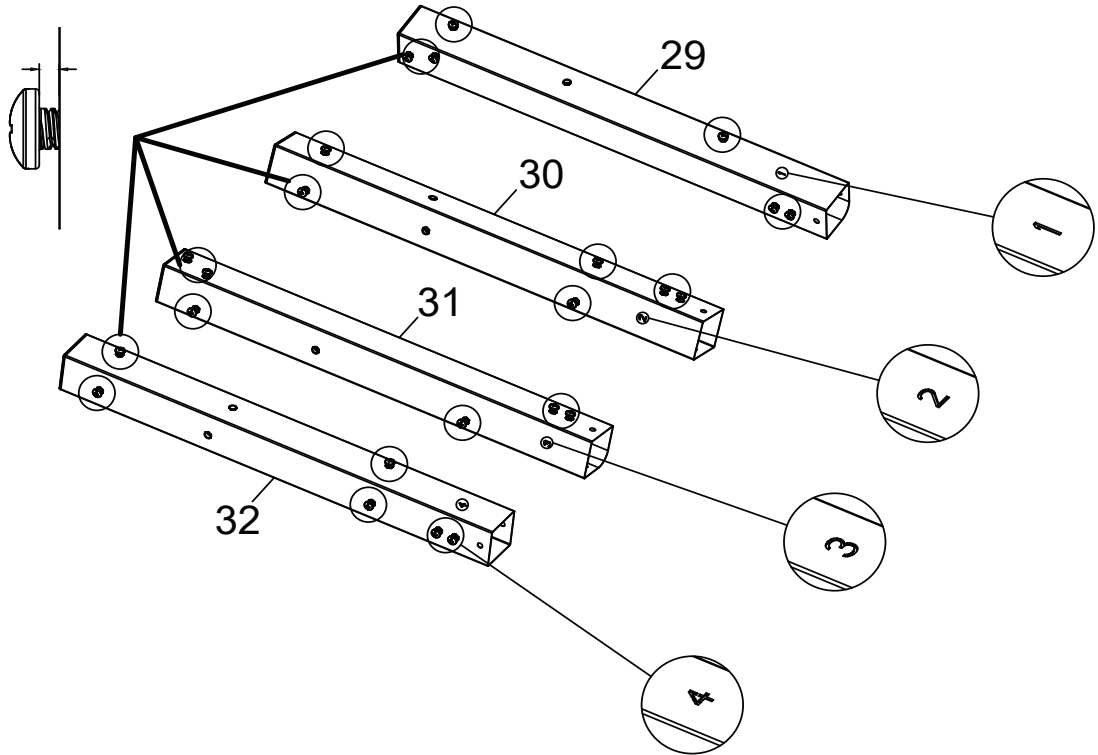
Key	Qty.	Description
35	2	SIDE CART PANEL
36	1	MIDDLE CART SHELF
37	1	FRONT DOOR BRACE
38	1	CLEANING TOOL
39	1	DOOR, NO HANDLE
40	1	HANDLE F/ DOOR
41	1	REAR CART PANEL
42	1	CORD WRAP
43	1	BOTTOM SHELF
44	2	CASTER, LOCKING
45	2	CASTER, NON-LOCKING
46	1	OUTSIDE MEAT PROBE HOLD- ER
47	2	MEAT PROBE
48	1	POWER CORD REPLACEMENT
49	1	MAGNET ASSEMBLY
50	1	FIXED PIN, F/ DOOR
51	1	SPRING PIN, F/ DOOR
<b>NOT Shown</b>		
...	1	PRODUCT GUIDE
...	1	HARDWARE PACK
...	1	CART/SHELF HARDWARE RE- PLACEMENT

# HARDWARE LIST

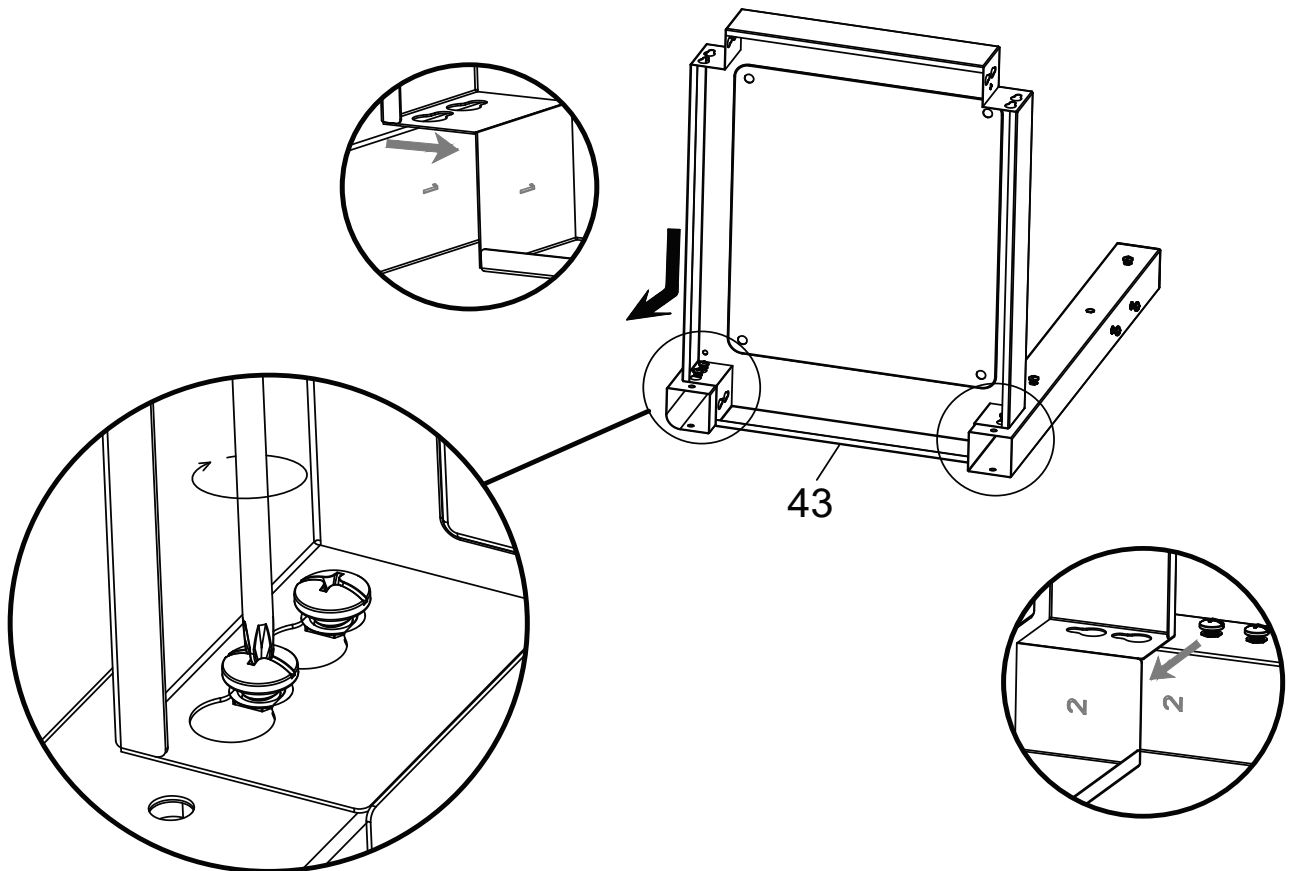
KEY	DESCRIPTION	IMAGE	QTY
A	Screw,Machine,1/4"-20 X1/2"		4
B	1/4-20 Flange Nut		4
C	Screw,Machine,1/4"-20 X 2.75"		4
D	Aluminum Washer		4
E	Screw, Machine,#10-24 X 1/2"		2
F	Screw, Machine,#10-24 X 1/2"		4

# ASSEMBLY

1



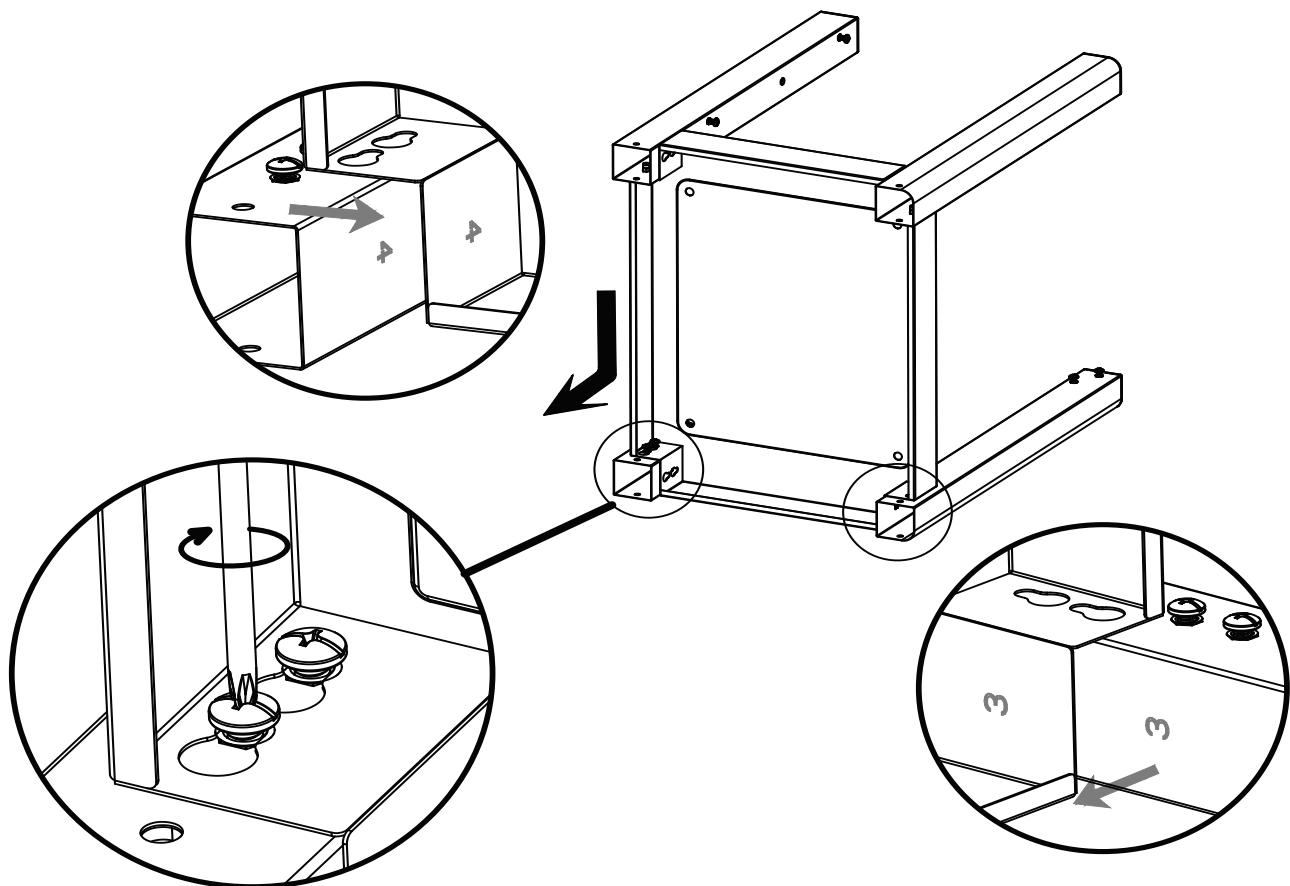
2



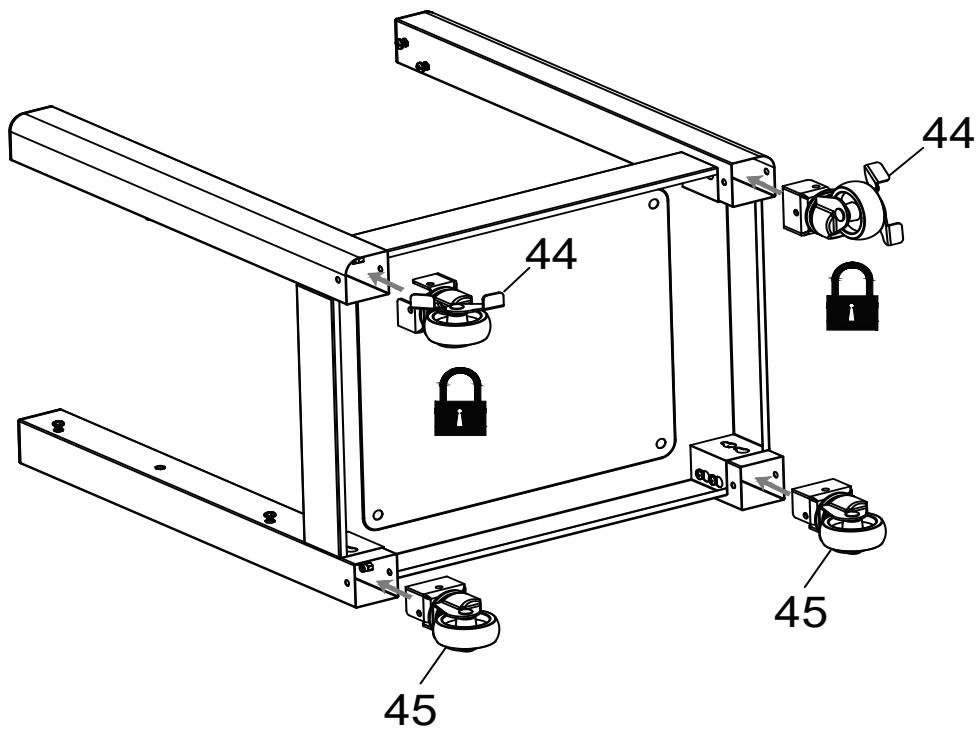


# ASSEMBLY

3

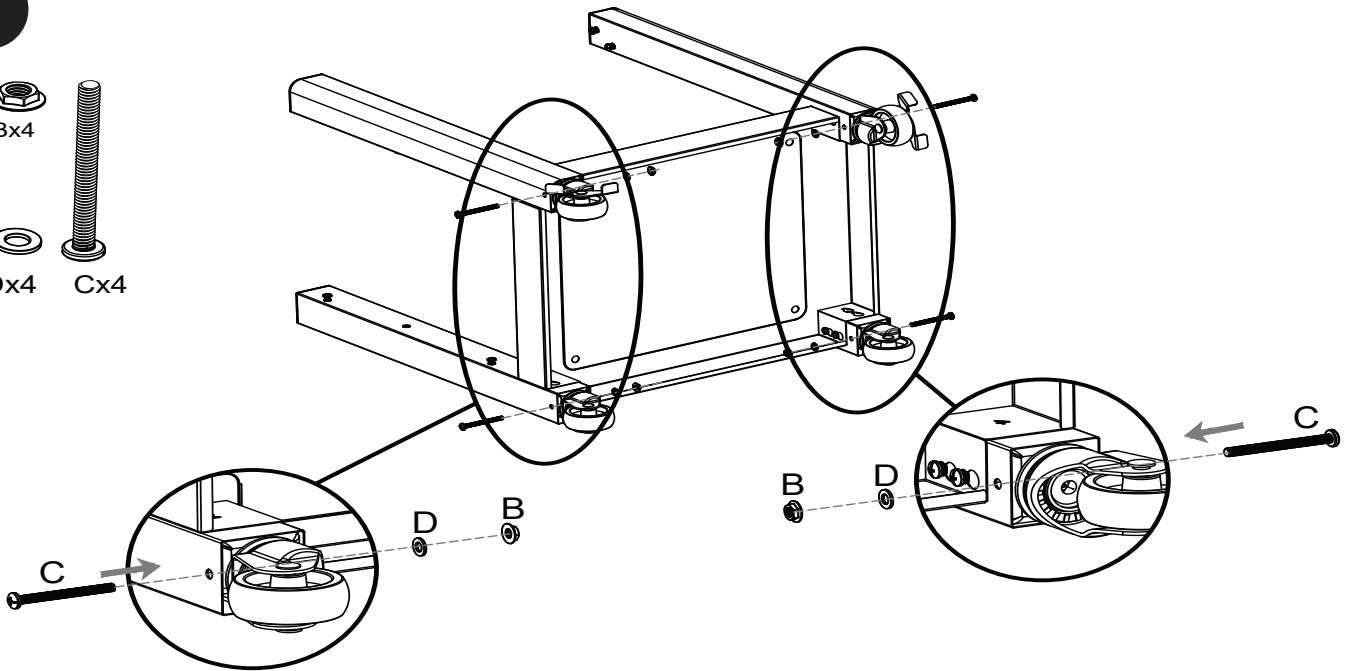
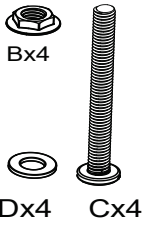


4

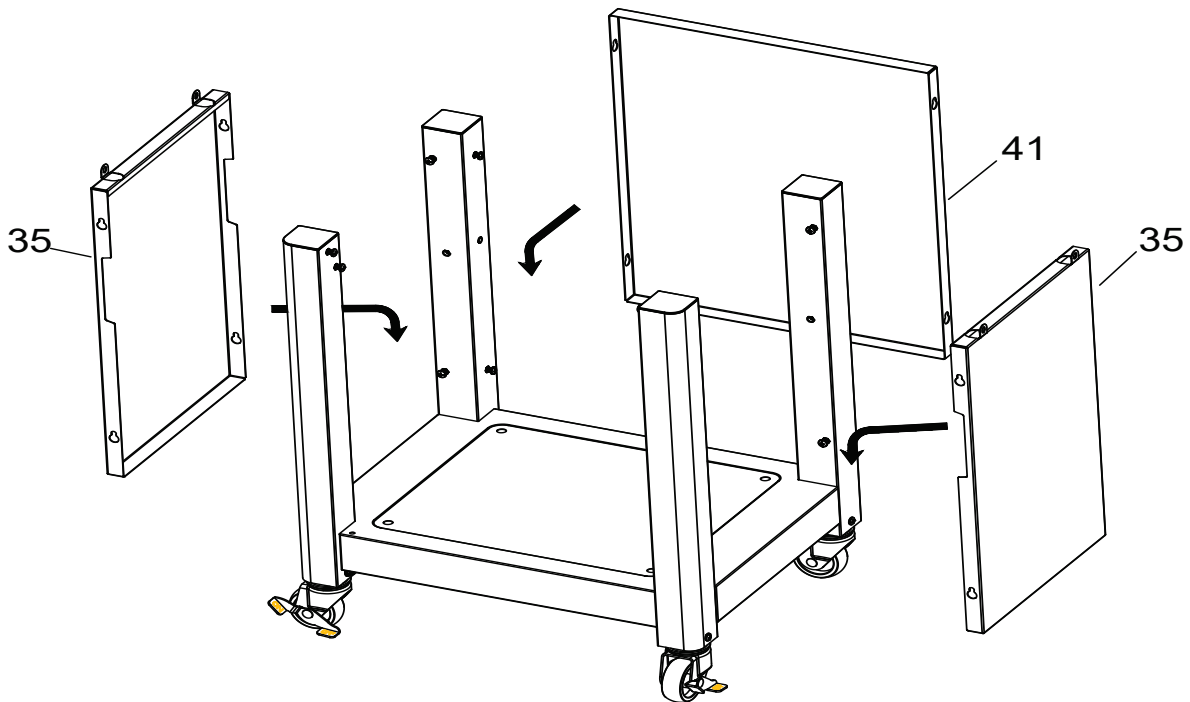


# ASSEMBLY

5

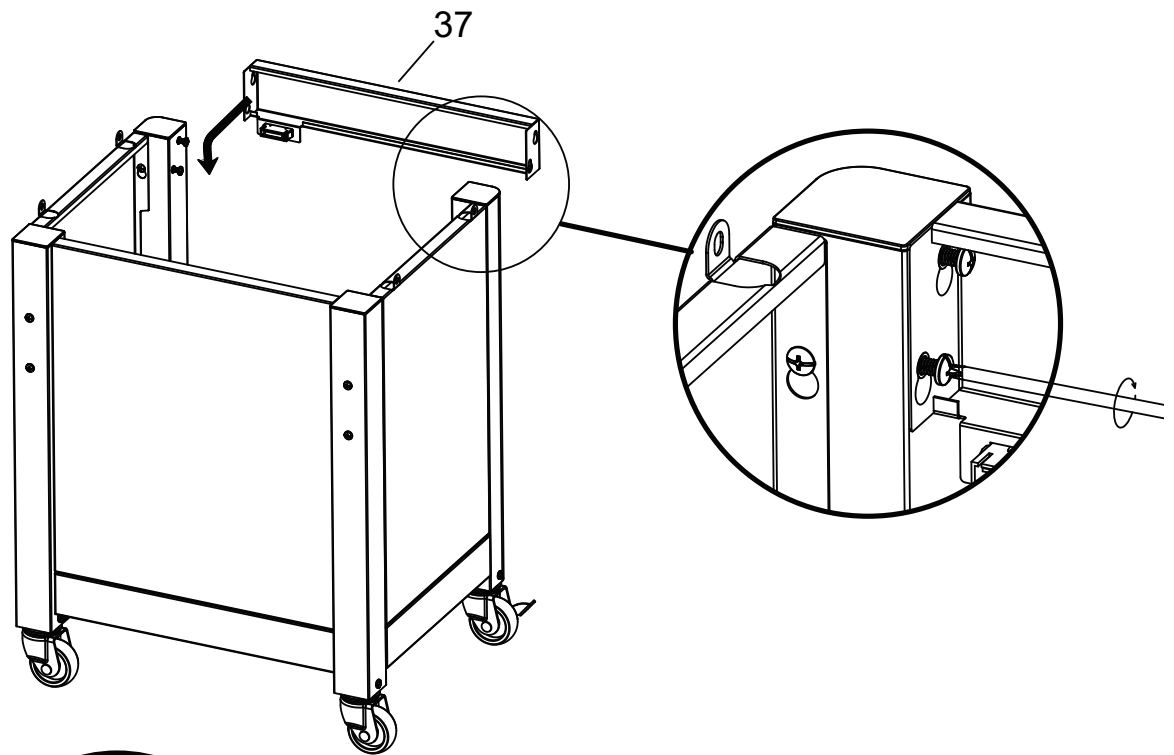


6

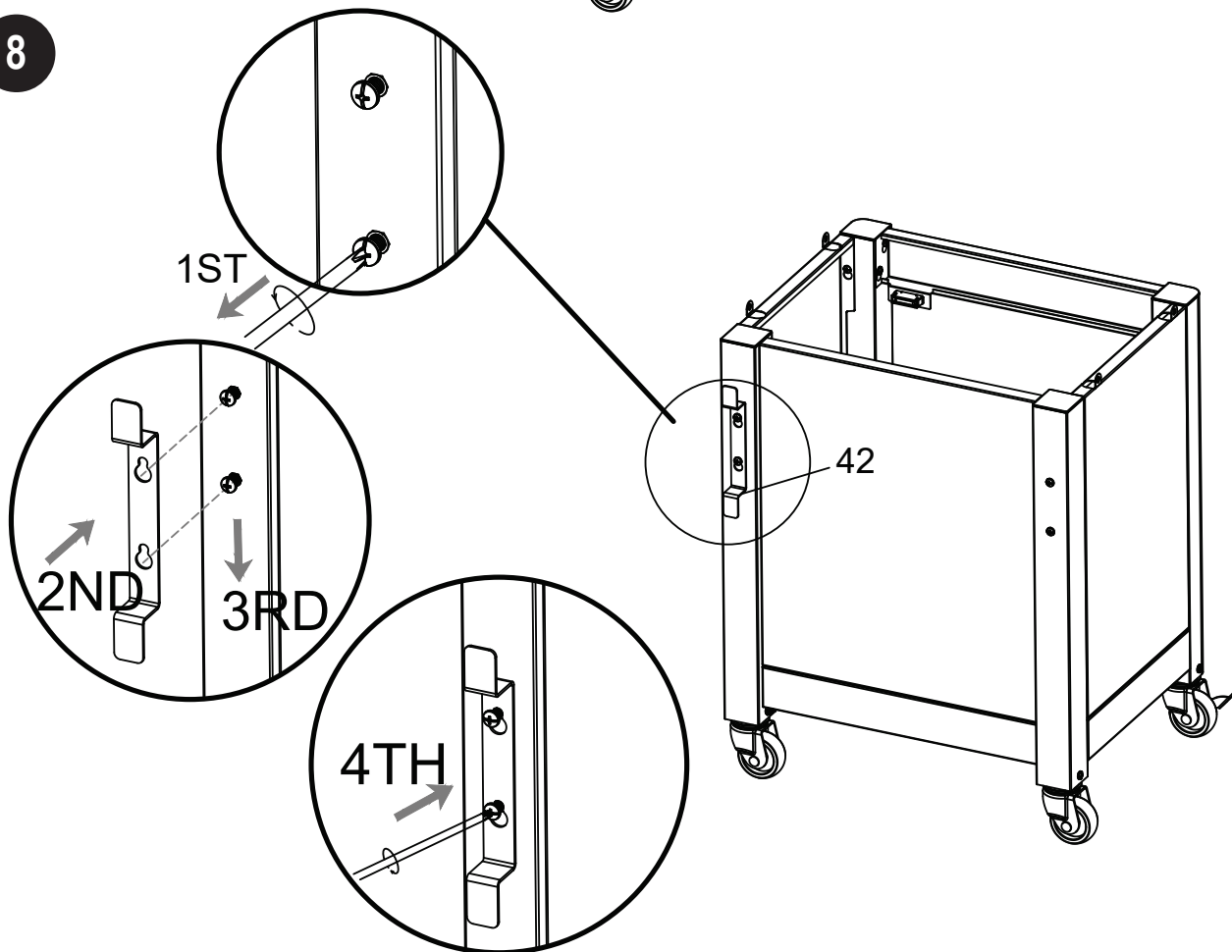


# ASSEMBLY

7



8

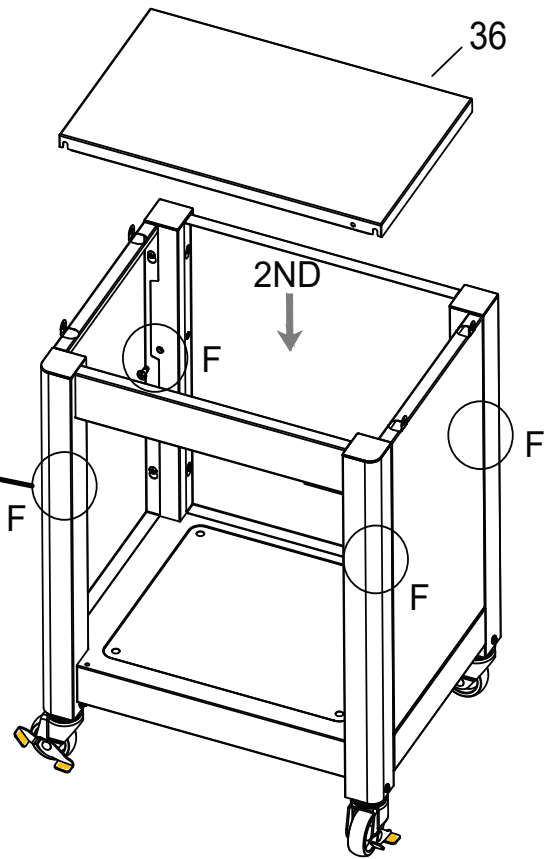
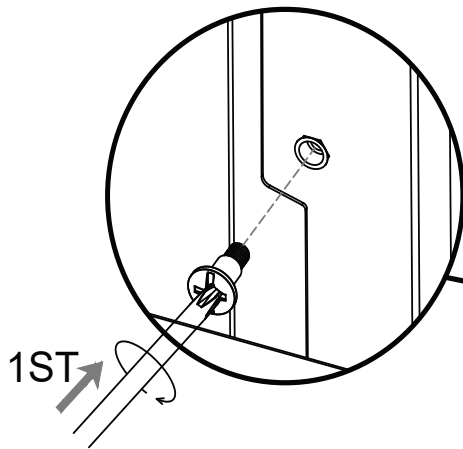


# ASSEMBLY

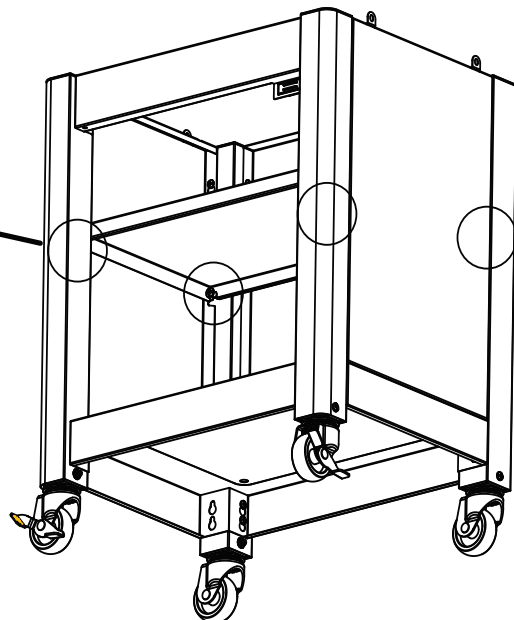
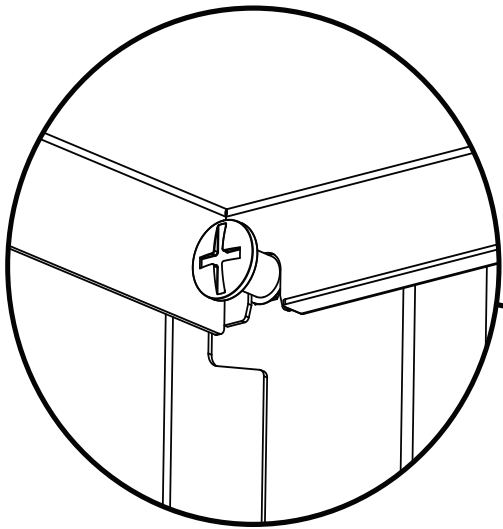
9



Fx4

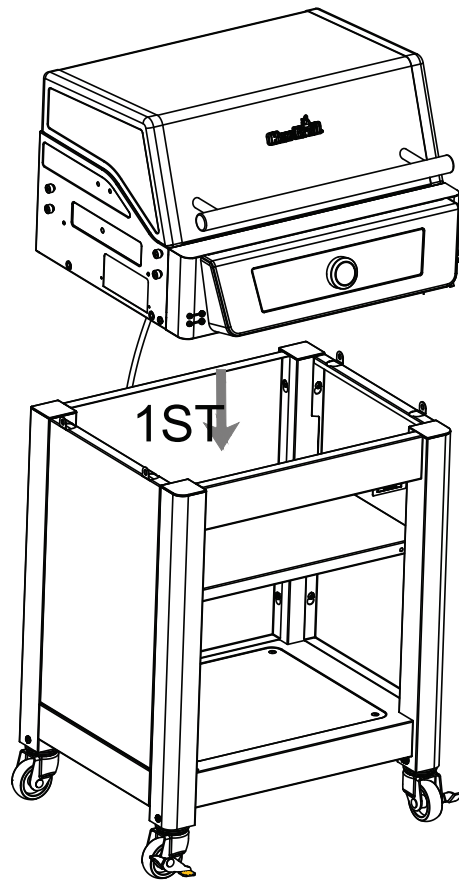


10



# ASSEMBLY

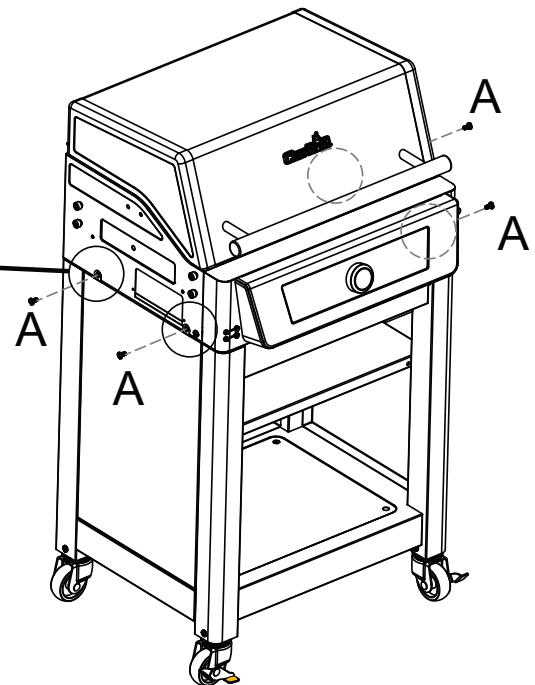
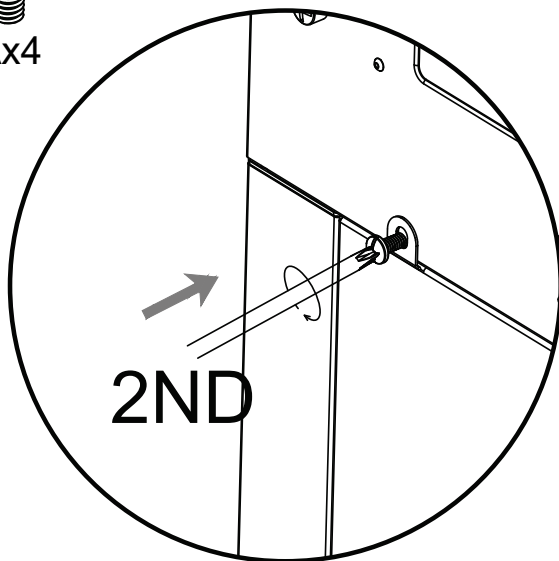
11



12



Ax4

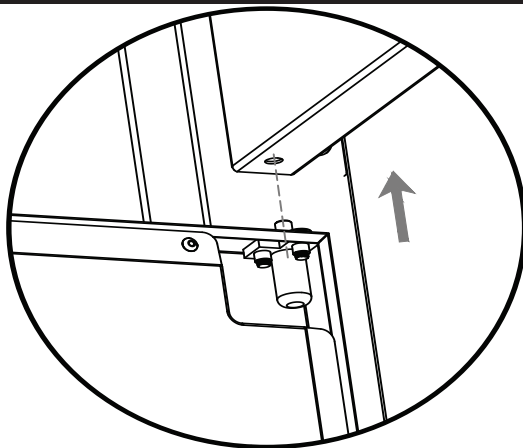


# ASSEMBLY

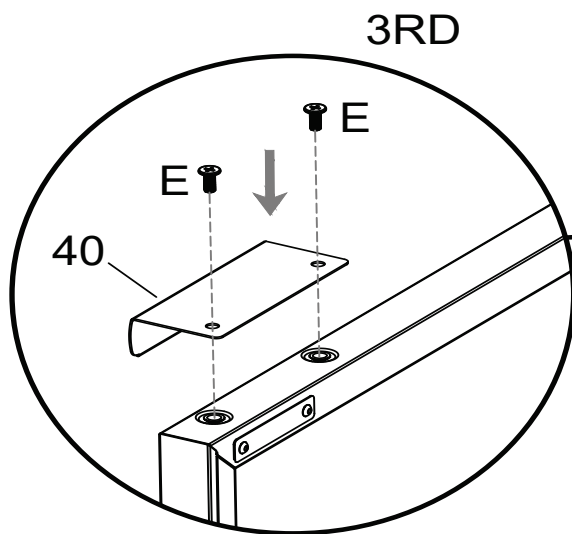
13



Ex2



2ND



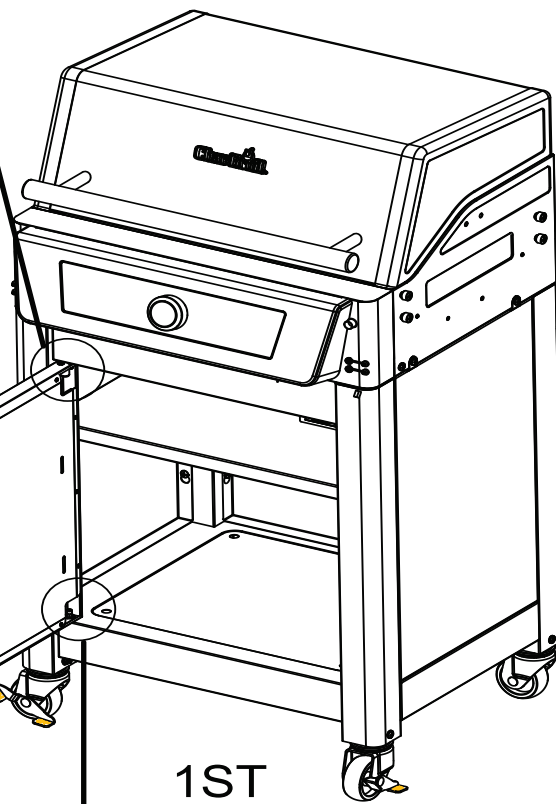
3RD

40

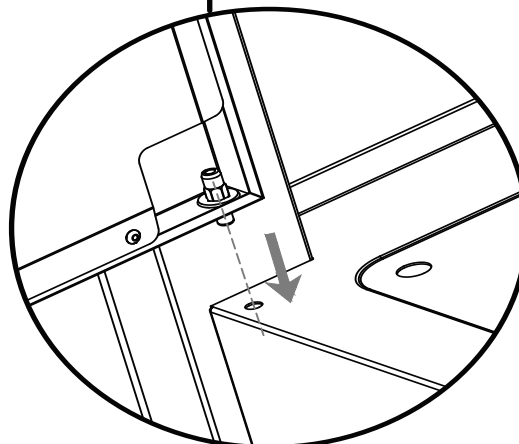
E

E

39



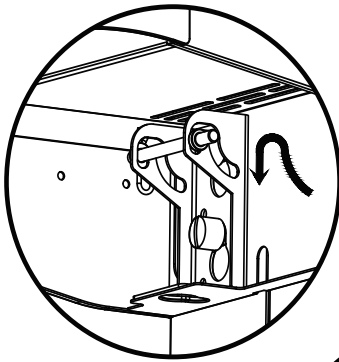
1ST



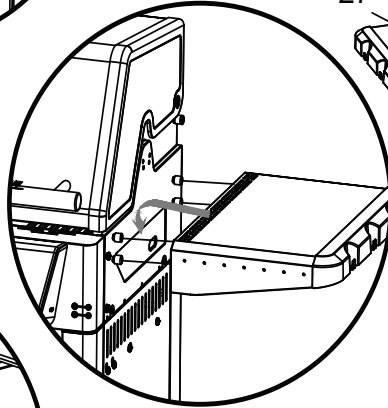
# ASSEMBLY

14

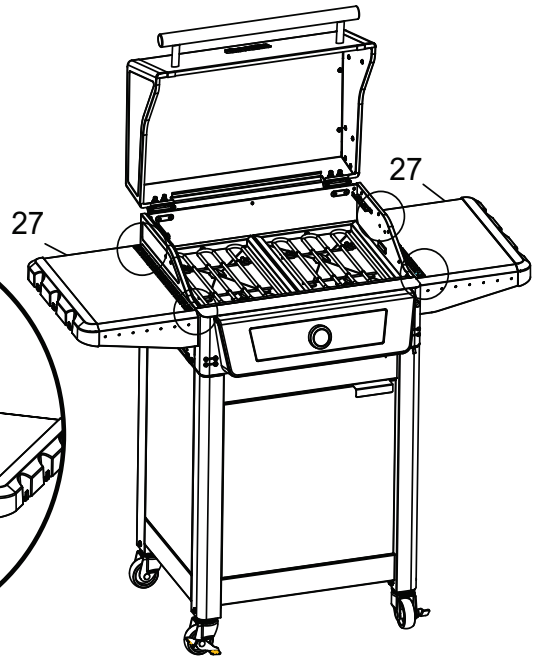
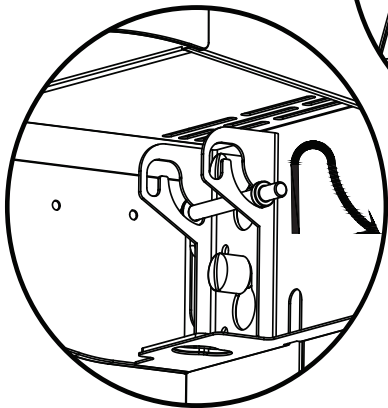
1ST



2ND

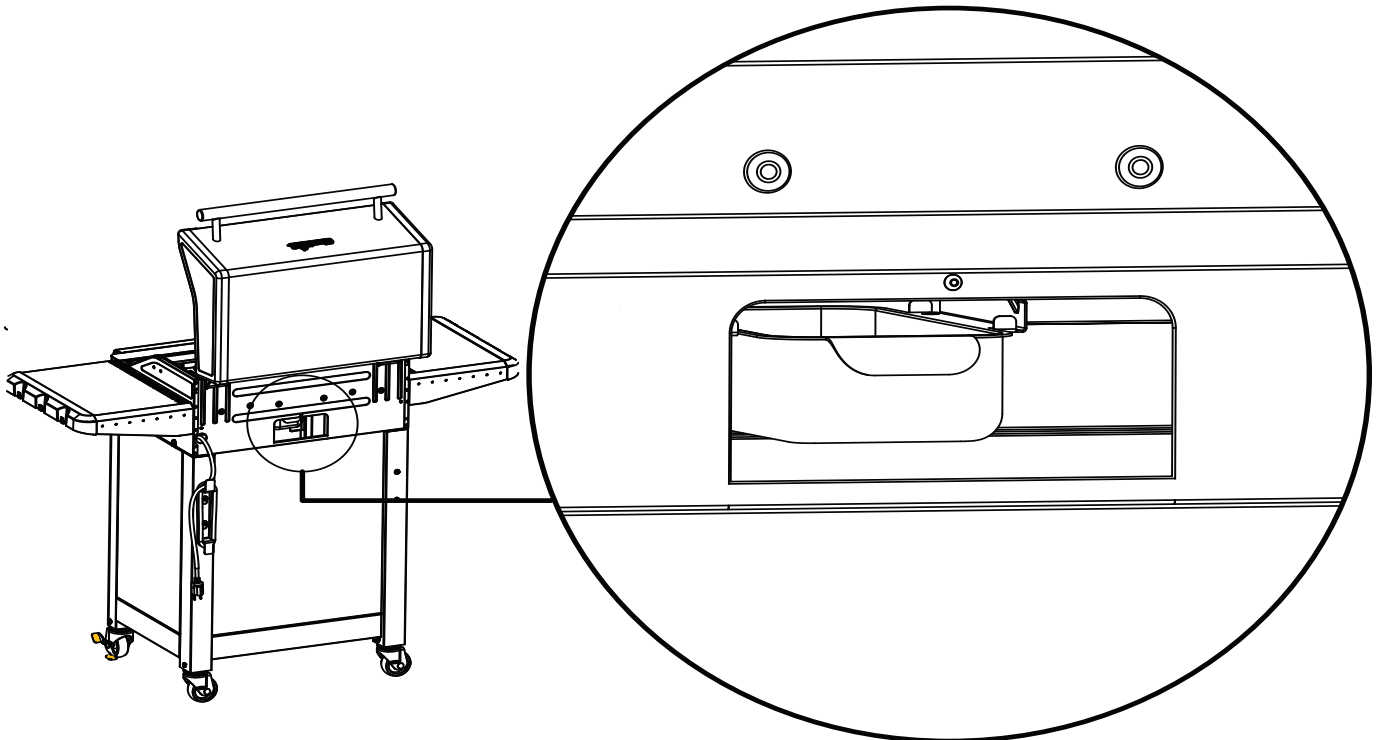
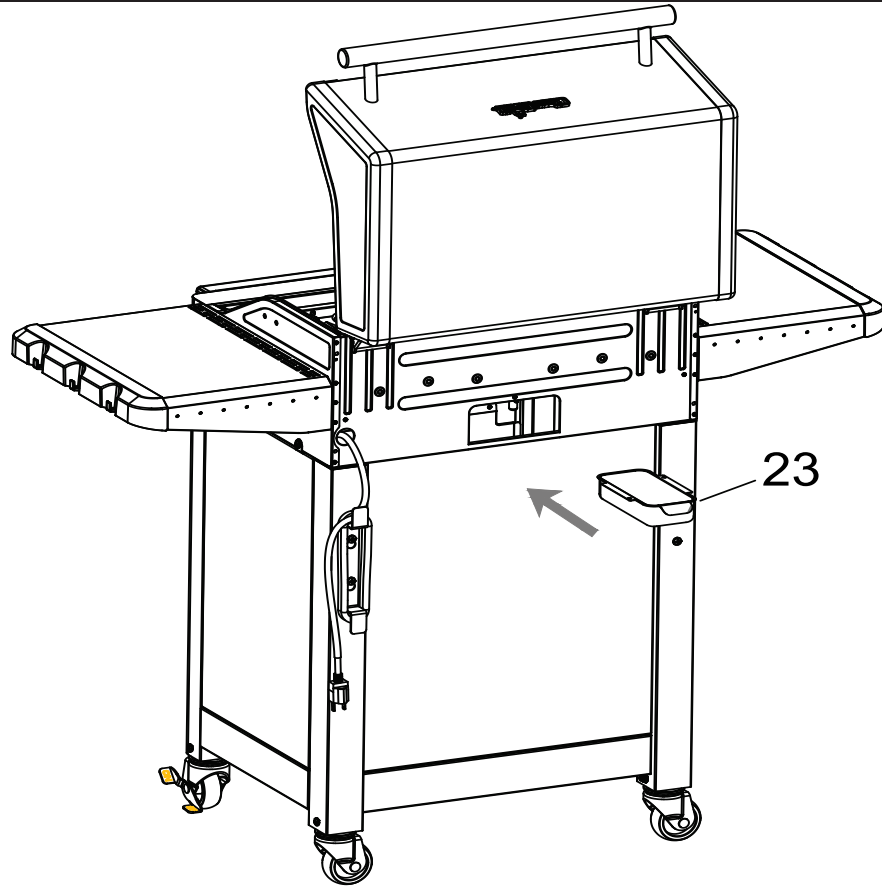


3RD



# ASSEMBLY

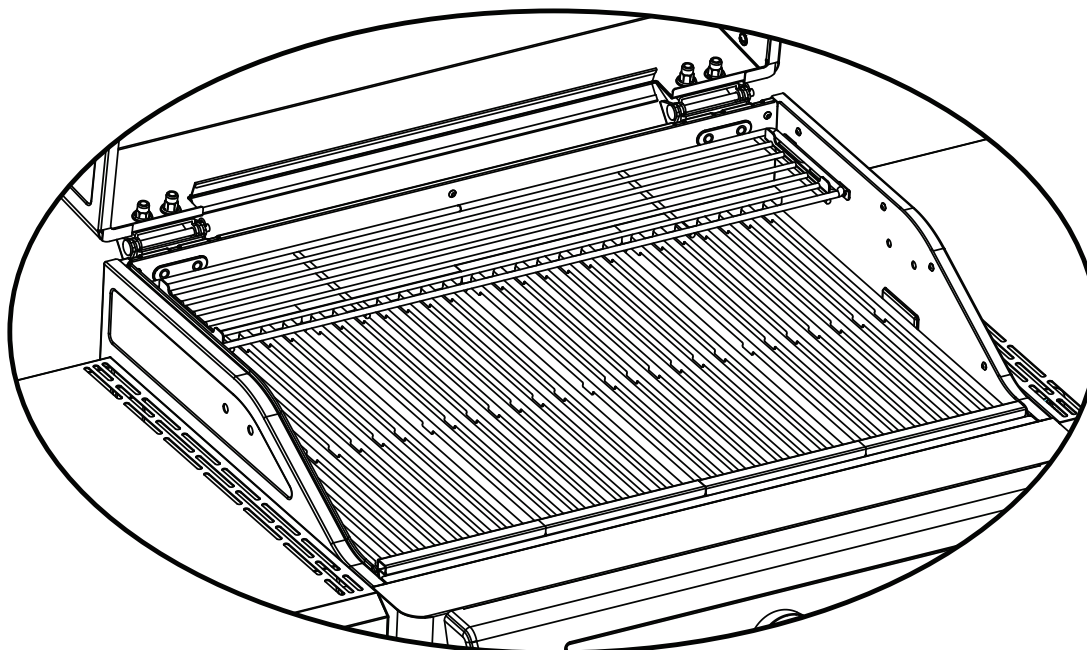
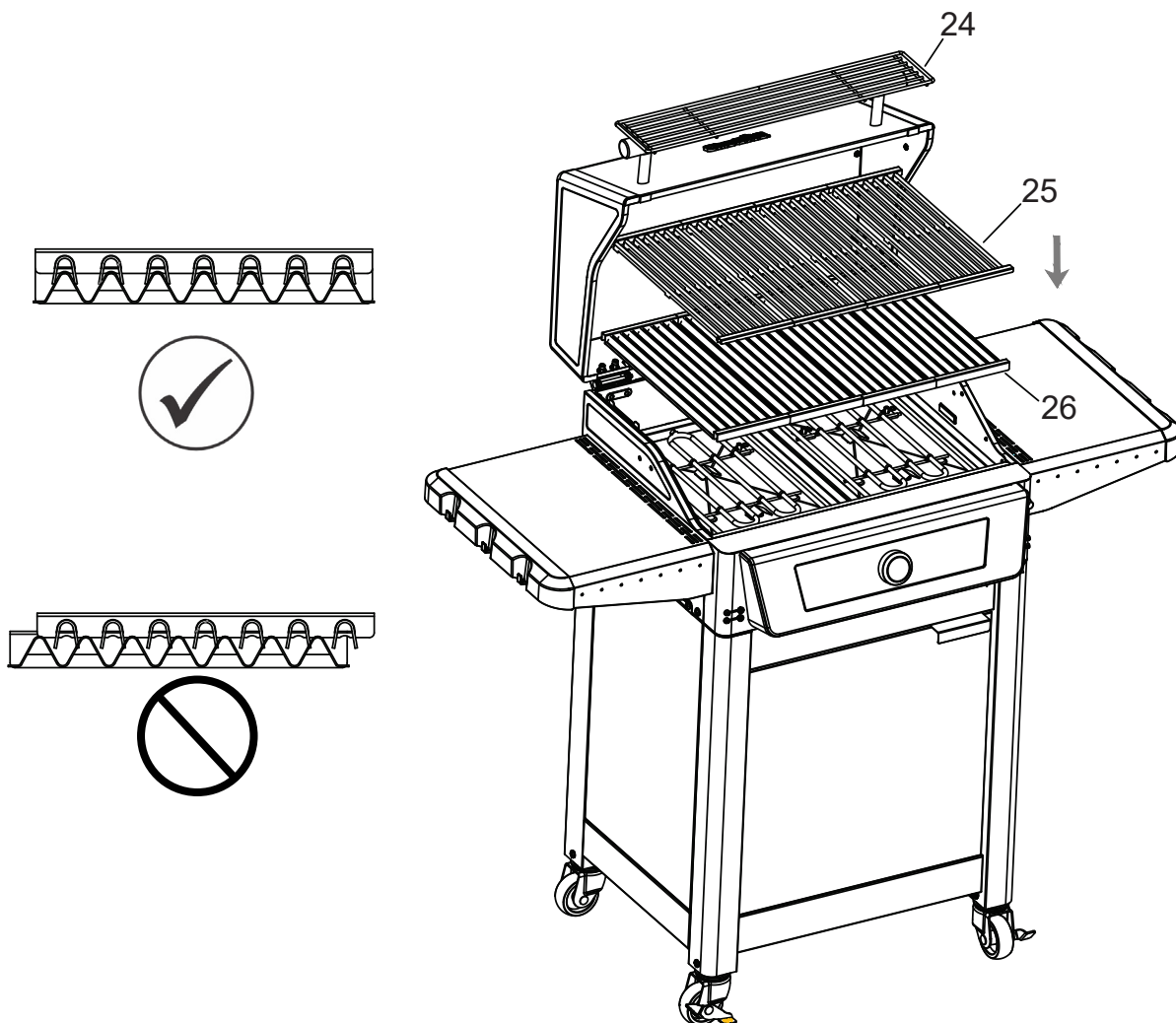
15





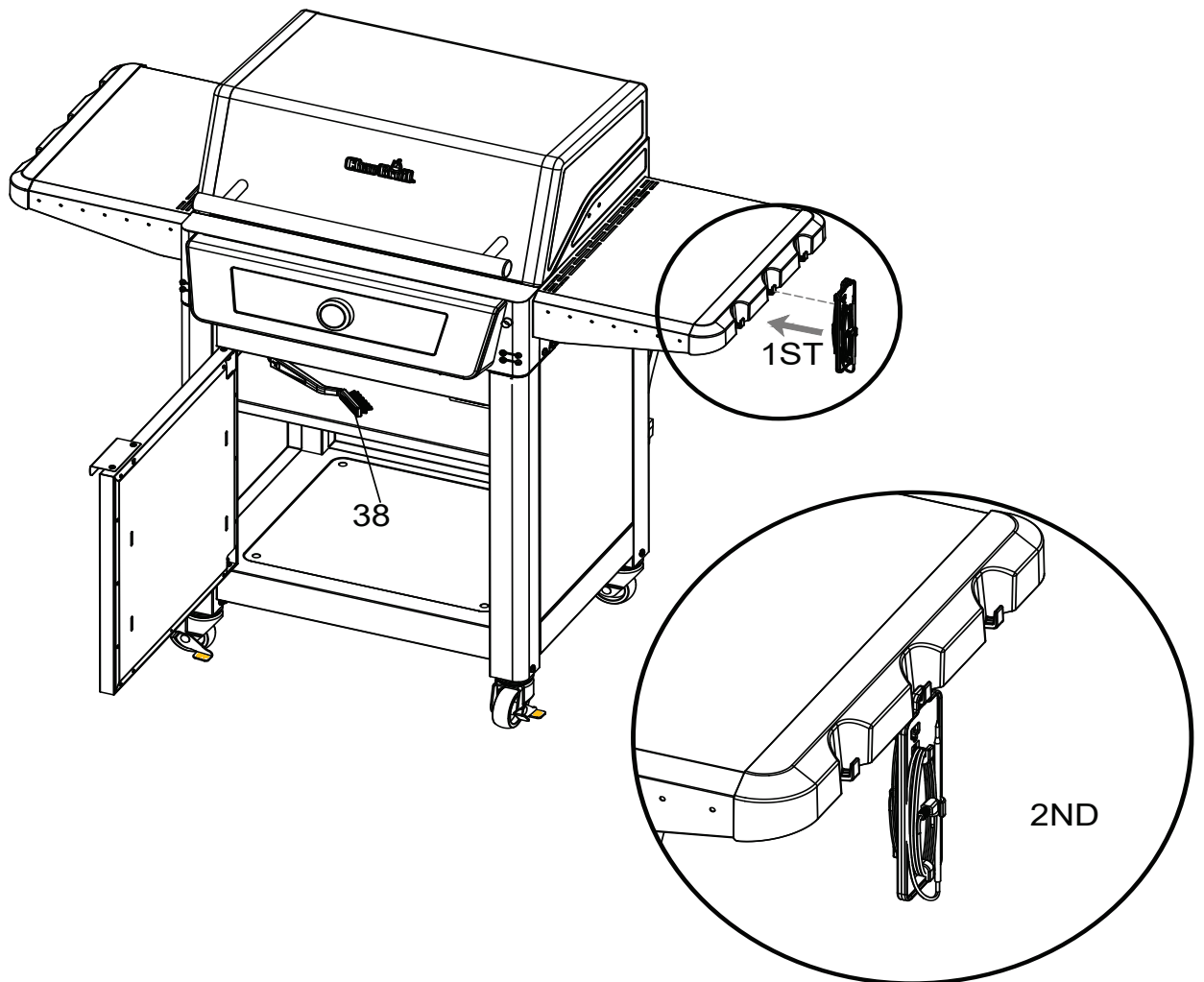
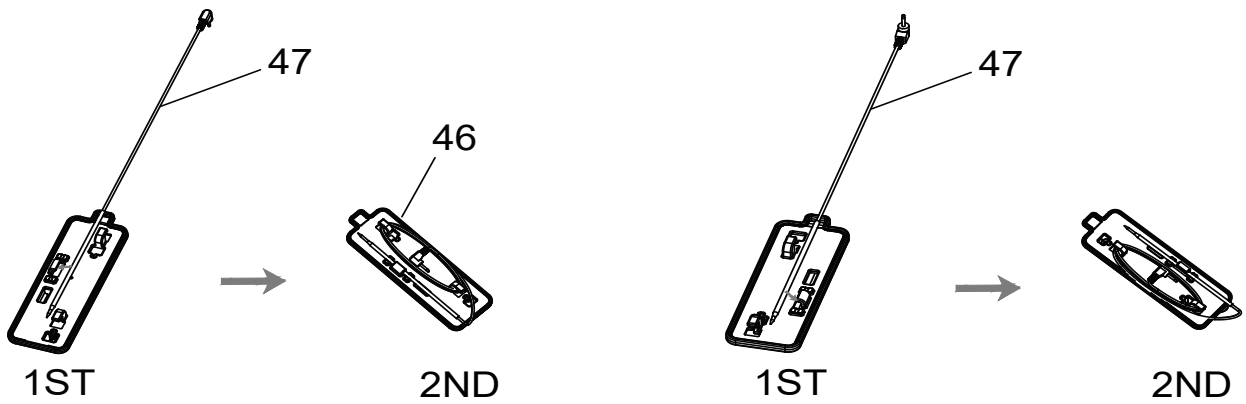
# ASSEMBLY

16



# ASSEMBLY

17



# ASSEMBLY

Storage • Stockage • Lagerung • Magazzinaggio • Lagring • Almacenamiento  
Opbevaring • Oppbevaring • Skladovanie • Úložný prostor • Tárolás • Shranjevanje

